



# Bright Deluxe Numbers & Letters

**i** *High Contrast = High Visibility*

**i** *Baked Enamel on Aluminum = Long Life*

Premax's Bright Deluxe letters and numbers are available in polished aluminum with black enamel background. This finish is produced with premium quality baked enamel (45% solids), using a proprietary formula containing state-of-the-art UV inhibitors.

The BDX is a bevel-edged plaque (.016" aluminum) with 2-1/2" tall characters de-bossed into a 3-1/4" x 2-1/4" rectangle. Each figure has two .10" mounting holes, top and bottom. Mounting frames for grouped characters are available in sizes holding 2 to 8 characters, in either horizontal or vertical orientation. Frames are made of .020" aluminum with mounting holes at each end.



3-1/4 inch Bright Deluxe Letter

Size	Style	Item	Qty
2-1/2" figure/ 3-1/4" bkgnd	Number, Letter, Dash, 1/2, & Polished Aluminum on Black	BDX-*	100/box

*\*See how to order on back side of this sheet*



Premium quality baked on enamel background contains UV inhibitors.



Center holes allow BDX markers to be attached with or without holders.



Solid aluminum holders, precisely made, allow for easy assembly.





**Item Number Codes**

**Pole Markers**

**Bright Deluxe Characters**



Polished aluminum character on black background.

**Example:** To order an aluminum number "3", use item code:



Actual Character	Letter Number Symbol
"-" (Dash)	Dash
"&" (Ampersand)	&
Fraction	1/2

RECOMMENDED NAIL:  
BGN-15

STANDARD PACKAGE:  
box of 100 of same character

**Holders**



Orientation	Code
Horizontal	H
Vertical	V

Holder Capacity. Enter the number of BDX plaques to be used.

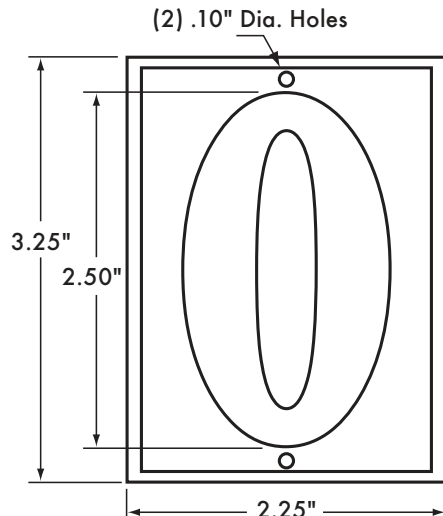
**Example:** To order a holder for four BDX characters in a horizontal orientation, use item code



RECOMMENDED NAIL:  
BGN-15

STANDARD PACKAGE:  
sold individually and shipped in bulk

**Bright Deluxe Numbers & Letters**



**Item Number:** BDX-0  
**Description:** 3" Bright Deluxe "0" on Black Plaque  
**Material:** .016" Aluminum

[www.premaxlp.com](http://www.premaxlp.com)

825 Tower Drive • Medina, MN 55340  
Phone 800-328-0194 • Fax 800-255-0194