

Aerial Markers



- i** *Big—readable from the air at long distances*
- i** *Made of durable aluminum*
- i** *Easily attached to any tower or crossarm*

Aerial markers are crucial elements in the cost control of line maintenance. Missing, faded, or damaged markers result in considerable down-time for field repair personnel. Premax produces transmission line markers that are large, rugged, and identifiable from a considerable distance. You can number a tower once and rest assured you won't have to number it again.

Our markers are easily attached to lattice towers & concrete or steel pylons via available racks, banding & other mounting fixtures. Consult factory for specific application.

Size	Character/Plaque Style	Item	Qty
6 inch	Yellow Nos./Black Block Plaque	614Y-*	50/box
6 inch	Aluminum Nos./Black Block Plaque	614A-*	50/box
6 inch	Black Nos./Yellow Block Plaque	614B-*	50/box
6 inch	Plain Finish Aluminum Number or Letter	UAR06-*	50/box

**See how to order on back side of this sheet*



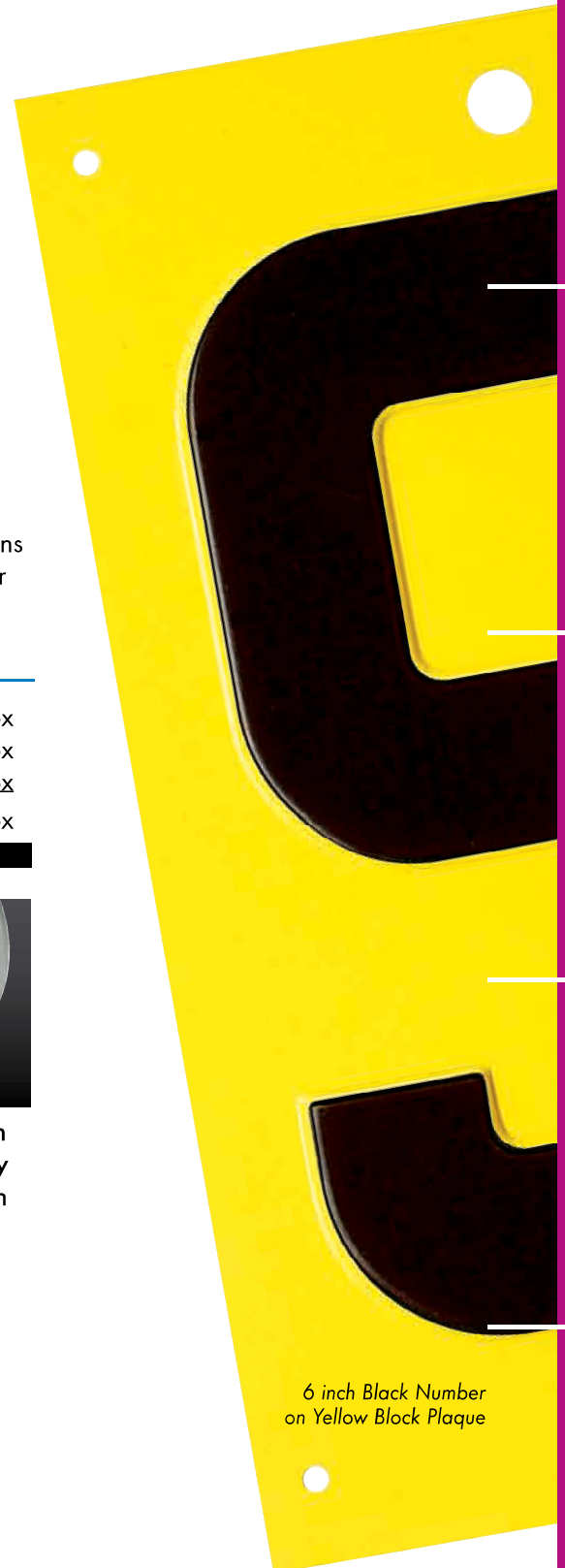
Premium quality baked enamel contains UV inhibitors.



Available with banding slots.



Achieve maximum durability, visibility and economy with aluminum.



6 inch Black Number on Yellow Block Plaque



www.premaxlp.com

Phone: 800-328-0194
Email: info@premaxlp.com

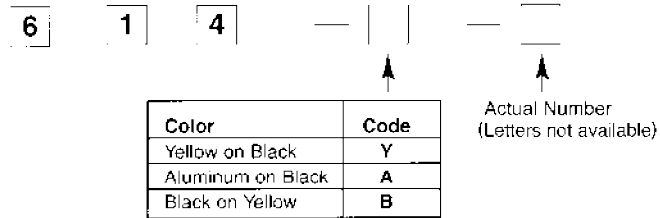


Item Number Codes

Aerial Markers

Transmission Line Markers

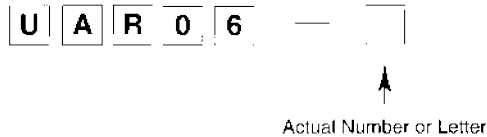
Style 614: Block Style marker with 6" number on 5-1/2" x 8" plaque. Four nail holes (1/8 inch), one in each corner. Two lag bolt/screw holes (11/32 inch) at top and bottom.



RECOMMENDED NAIL:
BGN-13

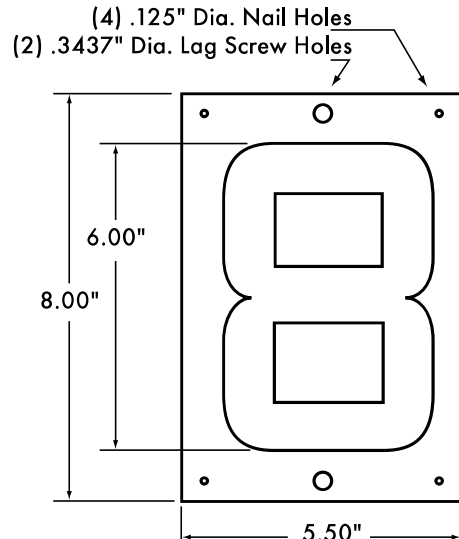
STANDARD PACKAGE:
sold individually.

Style UAR06: Individual embossed six inch plain finish aluminum number or letter. Nail holes (1/10") as needed.



RECOMMENDED NAIL:
BGN-13

STANDARD PACKAGE:
sold 50 each of same character per box.



Item Number: 614-A-8
Description: 6.0" Aluminum Block Style "8"
on Black Plaque
Material: .032" Aluminum

Aerial Markers

www.premaxlp.com

Phone: 800-328-0194

Email: info@premaxlp.com