

Bright Deluxe Numbers & Letters



i *High Contrast = High Visibility*

i *Baked Enamel on Aluminum = Long Life*

Premax's Bright Deluxe letters and numbers are available in polished aluminum with black enamel background. This finish is produced with premium quality baked enamel (45% solids), using a proprietary formula containing state-of-the-art UV inhibitors.

The BDX is a bevel-edged plaque (.016" aluminum) with 2-1/2" tall characters de-bossed into a 3-1/4" x 2-1/4" rectangle. Each figure has two .10" mounting holes, top and bottom. Mounting frames for grouped characters are available in sizes holding 2 to 8 characters, in either horizontal or vertical orientation. Frames are made of .020" aluminum with mounting holes at each end.



3-1/4 inch Bright Deluxe Letter

Size	Style	Item	Qty
2-1/2" figure/ 3-1/4" bkgnd	Number, Letter, Dash, 1/2, & Polished Aluminum on Black	BDX-*	100/box

**See how to order on back side of this sheet*



Premium quality baked on enamel background contains UV inhibitors.



Center holes allow BDX markers to be attached with or without holders.



Solid aluminum holders, precisely made, allow for easy assembly.





Item Number Codes

Pole Markers

Bright Deluxe Characters

B
D
X

↑

Polished aluminum character on black background.

Actual Character	Letter Number Symbol
— (Dash)	Dash
"&" (Ampersand)	&
Fraction	½

Example: To order an aluminum number "3" use item code:

B
D
X
—
3

RECOMMENDED NAIL:
BGN-15

STANDARD PACKAGE:
box of 100 of same character

Holders

U
D

↑

Orientation	Code
Horizontal	H
Vertical	V

Holder Capacity. Enter the number of BDx plaques to be used.

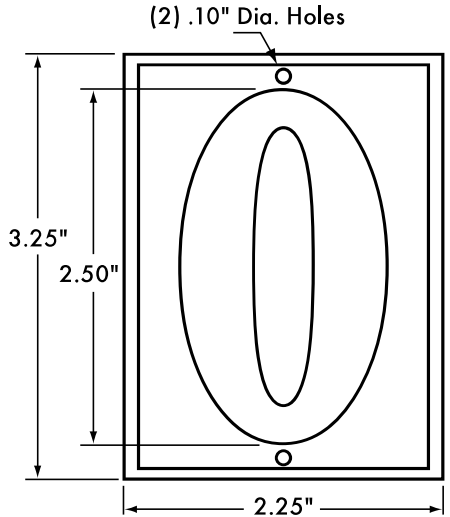
Example: To order a holder for four BDx characters in a horizontal orientation, use item code

U
D
H
—
4

RECOMMENDED NAIL:
BGN-15

STANDARD PACKAGE:
sold individually and shipped in bulk

Bright Deluxe Numbers & Letters



Item Number: BDx-0
 Description: 3" Bright Deluxe "0" on Black Plaque
 Material: .016" Aluminum

www.premaxlp.com

Phone: 800-328-0194
 Email: info@premaxlp.com