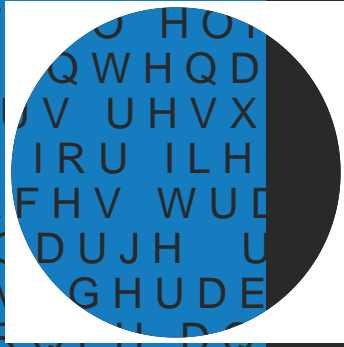


AERIAL MARKEMAR



ÃÅ, À¼ÈÀ ÄÈ´¿¼ÇÌ Ì À´Ë¼ÀÈÀ -ÈÅ´µ¼¿¼

\$HULDO PDUNHUV DUH FUXF...
FRVW FRQWURO RI OLQH PD...
IDGHG RU GDPDJHG PDUNHUV UHVX...
FRQVLGHUDEOH GRZQ WLPH IRU ILH...
SHUVRQQHO 3UHPD[SURGX FHV WUD...
OLQH PDUNHUV WKDW DUH C DUJH U...
LGHQWLILDEOH IURP D FRQV GHUDE...
<RX FDQ QXPEHU D WRZHU RQ...
DVVXUHG \RX ZRQäW KDYH WR QXPE



2XU PDUNHUV DUH HDVLO\ D...
WRZHUV FRQFUHWH RU VW...
DYDLODEOH UDFNV EDQGLQ...
IL[WXUHV &RQVXOW IDFWRI...
DSSOLFDWLRQ



size ,] i]|å? \o ai•? ITEM \i•

LQFKHOORZ 1RV %ODFN %ORFN<3ODTXBR...
LQFK\$OXPLQXP 1RV %ODFN %OR\$N 3ODER...
LQFK%ODFN 1RV <HOORZ %ORFN%3ODTXBR...
LQFK\$ODLQ)LQLVK \$OXPLQXP 3\$PEHU RBR/

2011

*5,)) ,1 %/9'
\$0(5< : ,

3UHPLXP TXDOLW\ EDNHG HQDPHO FR...
\$YDLDEOH ZLWK EDQGLQJ VO...
\$FKLHYH PD[LXP GXUDELOLW\ YLVLELO

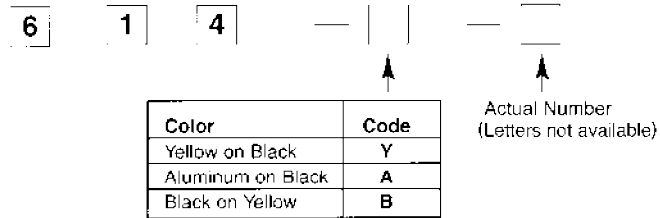


Item Number Codes

Aerial Markers

Transmission Line Markers

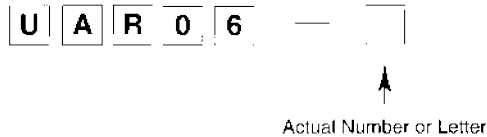
Style 614: Block Style marker with 6" number on 5-1/2" x 8" plaque. Four nail holes (1/8 inch), one in each corner. Two lag bolt/screw holes (11/32 inch) at top and bottom.



RECOMMENDED NAIL:
BGN-13

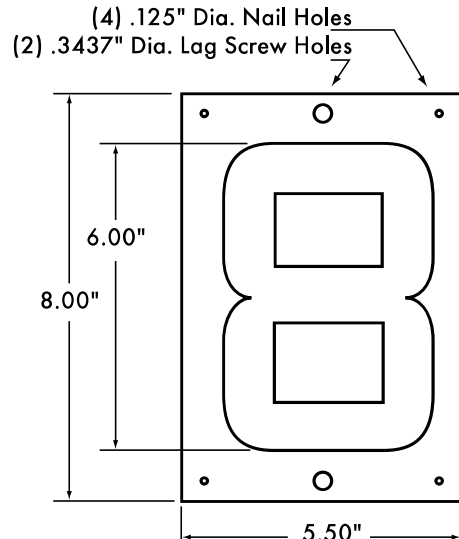
STANDARD PACKAGE:
sold individually.

Style UAR06: Individual embossed six inch plain finish aluminum number or letter. Nail holes (1/10") as needed.



RECOMMENDED NAIL:
BGN-13

STANDARD PACKAGE:
sold 50 each of same character per box.



Item Number: 614-A-8
Description: 6.0" Aluminum Block Style "8"
on Black Plaque
Material: .032" Aluminum

**Aerial
Markers**

www.premaxlp.com

Phone: 800-328-0194

Email: info@premaxlp.com