

# BRIGHT DELUXE LETTERS & NUMBERS



PREMIUM QUALITY | MAXIMUM DURABILITY | FAST SHIPPING

Premax's Bright Deluxe letters and numbers are available in polished aluminum with black enamel background. This finish is produced with premium quality baked enamel (45% solids), using a proprietary formula containing state-of-the-art UV inhibitors.



The BDX is a bevel-edged plaque (0.016" aluminum) with 2-1/2" tall characters de-bossed into a 3-1/4" x 2-1/4" rectangle. Each figure has two .10" mounting holes, top and bottom. Mounting frames for grouped characters are available in sizes holding 2 to 8 characters, in either horizontal or vertical orientation. Frames are made of .020" aluminum with mounting holes at each end.

SIZE	CHARACTER/PLAQUE STYLE	ITEM	QTY
2-1/2' figure/ 3-1/4" bkgrnd	Number, Letter, Dash, 1/2, & Polished Aluminum on Black	BDX-*	100/box



*Premium Quality baked on enamel background contains UV inhibitors.*

*Center holes allow BDX markers to be attached with or without holders.*

*Solid aluminum holders, precisely made, allow for easy assembly.*

465 GRIFFIN BLVD  
AMERY, WI 54001

WWW.PREMAXLP.COM  
INFO@PREMAXLP.COM  
800-328-0194



**Item Number Codes**

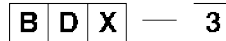
**Pole Markers**

**Bright Deluxe Characters**



Polished aluminum character on black background.

**Example:** To order an aluminum number "3" use item code:



Actual Character	Letter Number Symbol
"-" (Dash)	Dash
"&" (Ampersand)	&
Fraction	1/2

RECOMMENDED NAIL:

BGN-15

STANDARD PACKAGE:

box of 100 of same character

**Holders**



Orientation	Code
Horizontal	H
Vertical	V

Holder Capacity. Enter the number of BDX plaques to be used.

**Example:** To order a holder for four BDX characters in a horizontal orientation, use item code



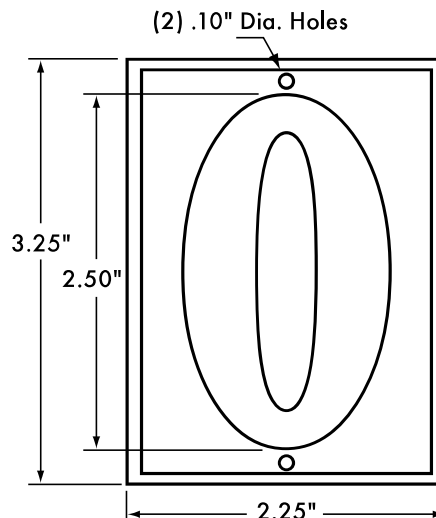
RECOMMENDED NAIL:

BGN-15

STANDARD PACKAGE:

sold individually and shipped in bulk

**Bright Deluxe Numbers & Letters**



Item Number: BDX-0  
 Description: 3" Bright Deluxe "0" on Black Plaque  
 Material: .016" Aluminum

[www.premaxlp.com](http://www.premaxlp.com)

Phone: 800-328-0194

Email: [info@premaxlp.com](mailto:info@premaxlp.com)