

# CRIMP-CLOSED™ SLIDE-IN TAGS



PREMIUM QUALITY | MAXIMUM DURABILITY | FAST SHIPPING

Apply to any surface with metal strapping,\* lacing wire,\* double-stick adhesive or nails... this system meets the challenge of marking new types of outside plant. Tags and holders are made of durable aluminum, not unproven plastic. Our proprietary paint formula incorporates today's best ultraviolet inhibitors. Available in one inch or three inch characters.

\*Requires optional slots on holder.

Custom features:

- Black characters on yellow or orange background.
- Custom tags showing special symbols, logos, or ownership initials are no problem: consult factory.



SIZE	TAG ORIENTATION	TAG FINISH	ITEM	QTY
1 inch	Horizontal	Black on Yellow	CCTO1HY-**	100/box
1 inch	Vertical	Black on Yellow	CCTO1VY-**	100/box
1 inch	Horizontal	Black on Orange	CCTO1HO-**	100/box
1 inch	Vertical	Black on Orange	CCTO1VO-**	100/box
3 inch	Universal	Black on Yellow	CCTO3Y-**	100/box
3 inch	Universal	Black on Orange	CCTO3O-**	100/box



*Corner holes allow 3" tags to be attached with or without mounting holders.*

*Proprietary baked enamel is thicker and lasts longer than ink.*

*Metal is permanent. Accept no plastic substitutes.*

*Holders available for both horizontal and vertical configurations.*

465 GRIFFIN BLVD  
AMERY, WI 54001

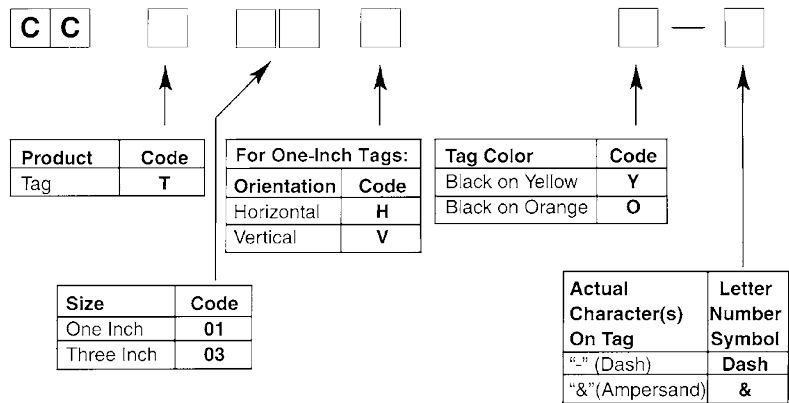
WWW.PREMAXLP.COM  
INFO@PREMAXLP.COM  
800-328-0194



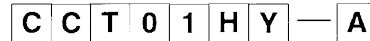
**Item Number Codes**

**Pole Markers**

**Crimp Closed™ Slide-In Tags**



**Example (Tag):**  
 To order a black, one inch tall, letter "A" tag on a yellow background to be read horizontally the item code would be:

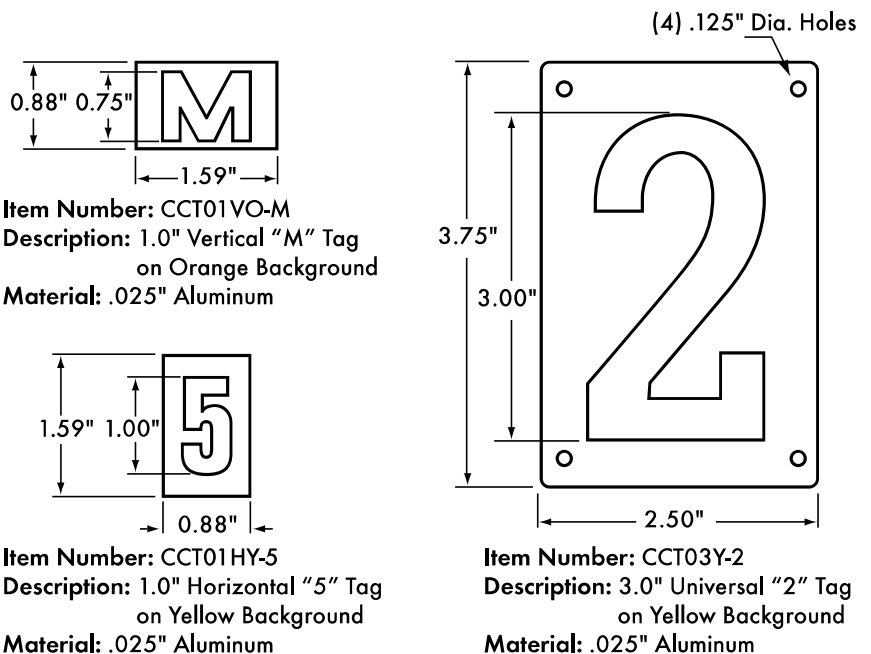


**SPECIAL TAGS:** logos, phase symbol, KVA numbers, etc., consult factory.

**RECOMMENDED NAIL:**  
 BGN-13

**STANDARD PACKAGE:** 100 per box or ziplock bag

**Crimp-Closed™ Slide-In Tags**



[www.premaxlp.com](http://www.premaxlp.com)

Phone: 800-328-0194

Email: [info@premaxlp.com](mailto:info@premaxlp.com)